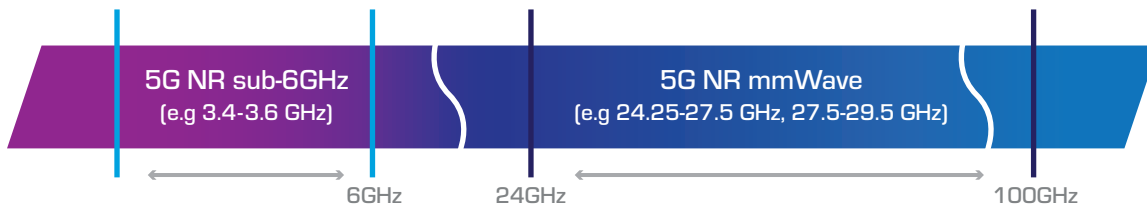


MINIATURE THIN FILM BAND PASS FILTERS FOR ULTRA-WIDE BAND



Ultra-wideband is a radio technology (3.1-10.6 GHz) that uses a very low energy level for short-range, high-bandwidth communications over a large portion of the radio spectrum.

Most recent applications target sensor data collection, precision locating and tracking applications and Vehicle to Everything communication.

During the coming years, the number of wireless sensor and communication systems will increase significantly, due to the expected low costs of these systems and their technical advantages.

ADVANTAGES

- » Spectrum Reuse
- » High Data Rate
- » Low Transmit Power
- » Wide Band
- » Interface Immunity
- » Simple Architecture

BENEFITS

- » 3.1 – 10.6 GHz , Coexists with Other Bands
- » 500 MBPS at 10 feet
- » Long Battery Life
- » High Precision for Location and Imaging
- » Reliable Communication
- » Low Power and Better MTBF

KYOCERA AVX THIN FILM MINIATURE UWB BAND PASS FILTERS ADVANTAGES

Sizes: 0805 / 1206

Wide Operating Range : 800 – 7500 MHz

High Power Rating: 5W 0805 / 8W 1206

Low Insertion Loss

High Out of Band Rejection

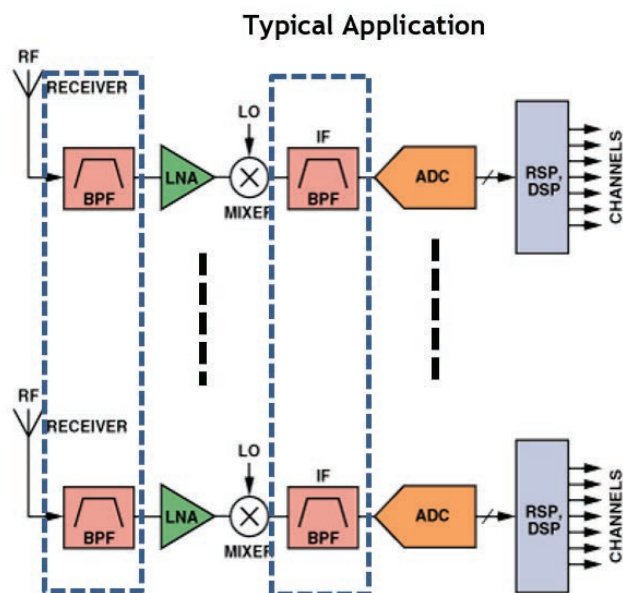
Steep Roll-Off

High Repeatability

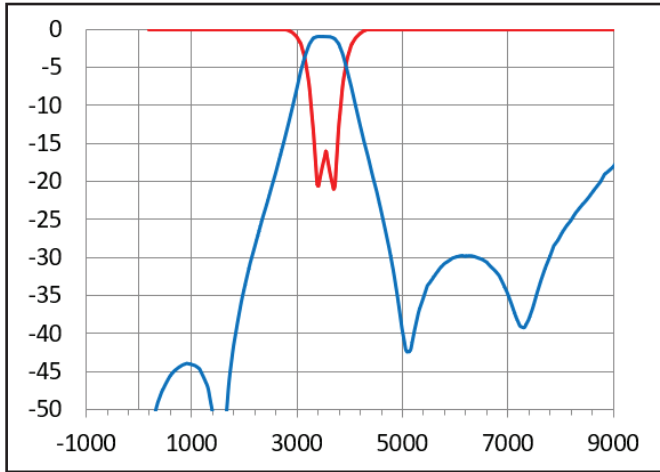
Temperature Stability

High Order Filters

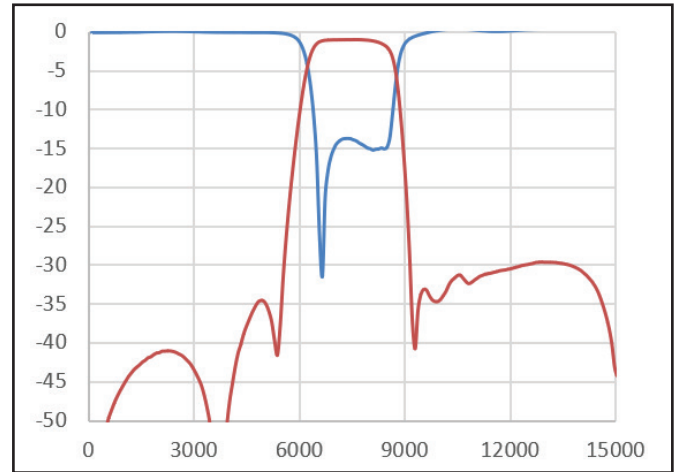
Short Lead Time: 8 - 16 Weeks ARO



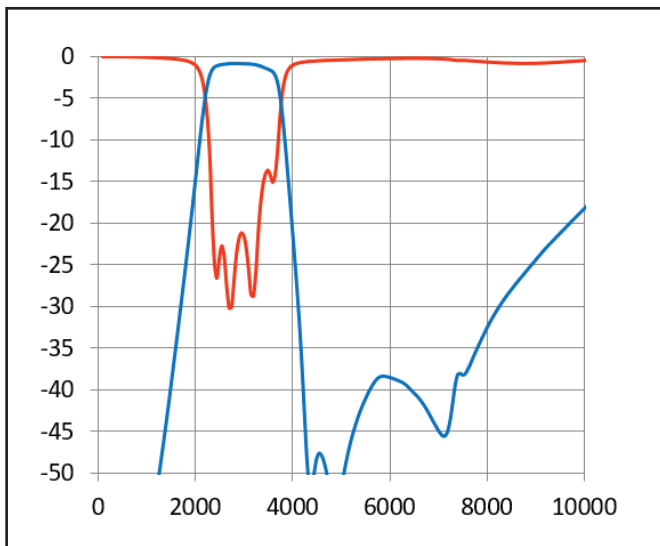
MINIATURE THIN FILM BAND PASS FILTERS FOR ULTRA-WIDE BAND



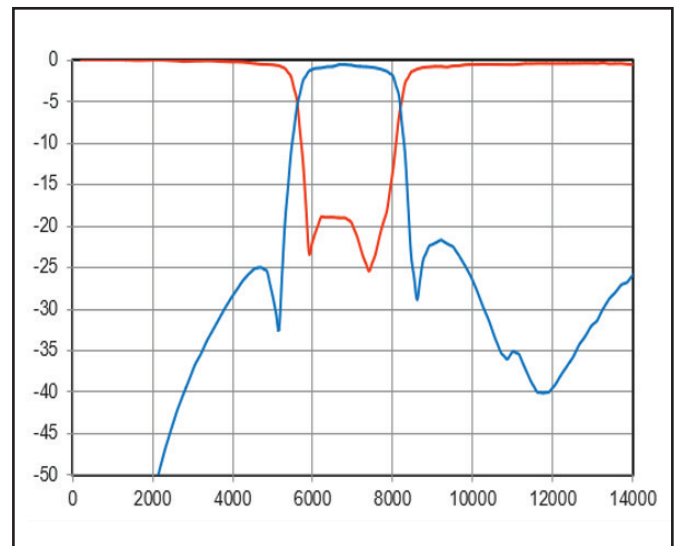
0805 SIZE
Central Frequency: 3.5 GHz
Passband: 200 MHz



0805 SIZE
Central Frequency: 7.25 GHz
Passband: 1.25 GHz



1206 SIZE
Central Frequency: 3.1 GHz
Passband: 1 GHz



1206 SIZE
Central Frequency: 6.67 GHz
Passband: 1.55 GHz

APPLICATIONS



Military



Base Stations



Test Equipment



Handheld Radios



Consumer



Active Antenna Systems



Automotive



Emergency Services