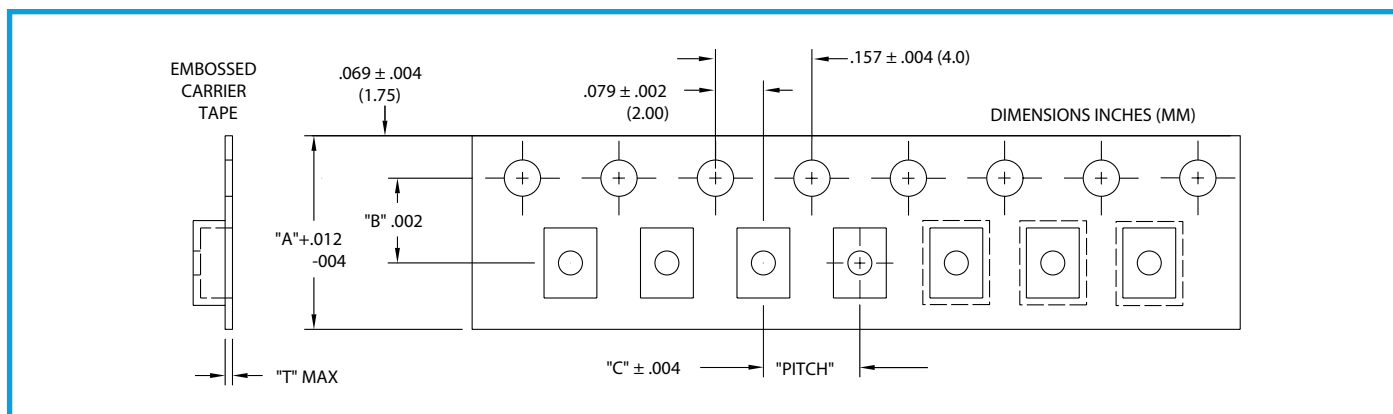


# TECHNICAL DOCUMENT

## KYOCERA AVX MLC Surface Mount Tape & Reel Packaging Specifications

---

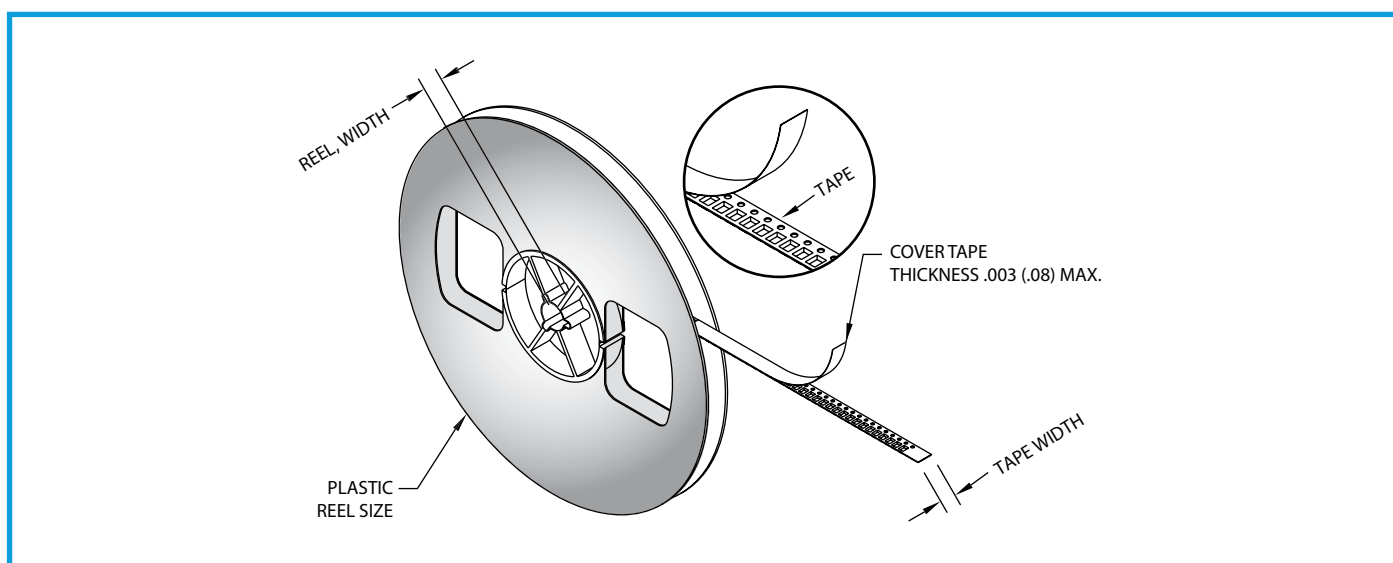
## General Purpose MLC Products Tape and Reel Packaging



Chip Case	"A" DIM MAX.	"B" DIM	"C" DIM	"T" DIM MAX.	REEL WIDTH MAX.	QTY MAX / REEL TYPE
0402*	.327(8.30)	.138(3.50) ± .002(±0.05)	.079(2.00) ± .004(±0.10)	.024(0.60)	.567(14.4)	10000
0603	.327(8.30)	.138(3.50) ± .002(±0.05)	.157(4.00) ± .004(±0.10)	.024(0.60)	.567(14.4)	4000
0805	.327(8.30)	.138(3.50) ± .002(±0.05)	.157(4.00) ± .004(±0.10)	.024(0.60)	.567(14.4)	4000
1206	.327(8.30)	.138(3.50) ± .002(±0.05)	.157(4.00) ± .004(±0.10)	.024(0.60)	.567(14.4)	4000
1210	.327(8.30)	.138(3.50) ± .002(±0.05)	.157(4.00) ± .004(±0.10)	.024(0.60)	.567(14.4)	2000 to 4000
1812	.484(12.3)	.217(5.50) ± .004(±0.10)	.315(8.00) ± .004(±0.10)	.024(0.60)	.724(18.4)	1000
2225	.484(12.3)	.217(5.50) ± .004(±0.10)	.315(8.00) ± .004(±0.10)	.024(0.60)	.724(18.4)	-

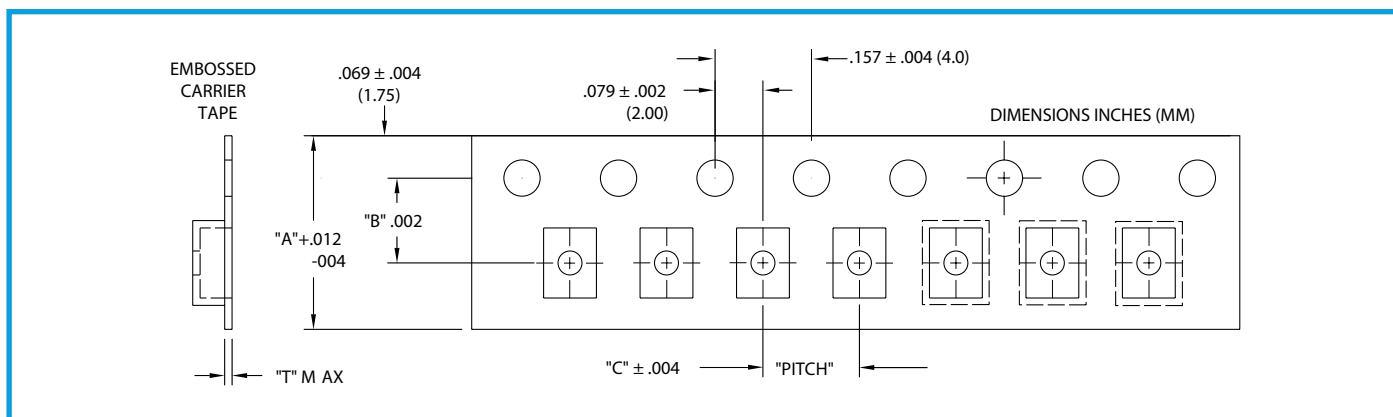
\*0402 uses paper carrier tape; all other sizes use embossed carrier tape

NOTE: Reel size is 7.0 (177.8)



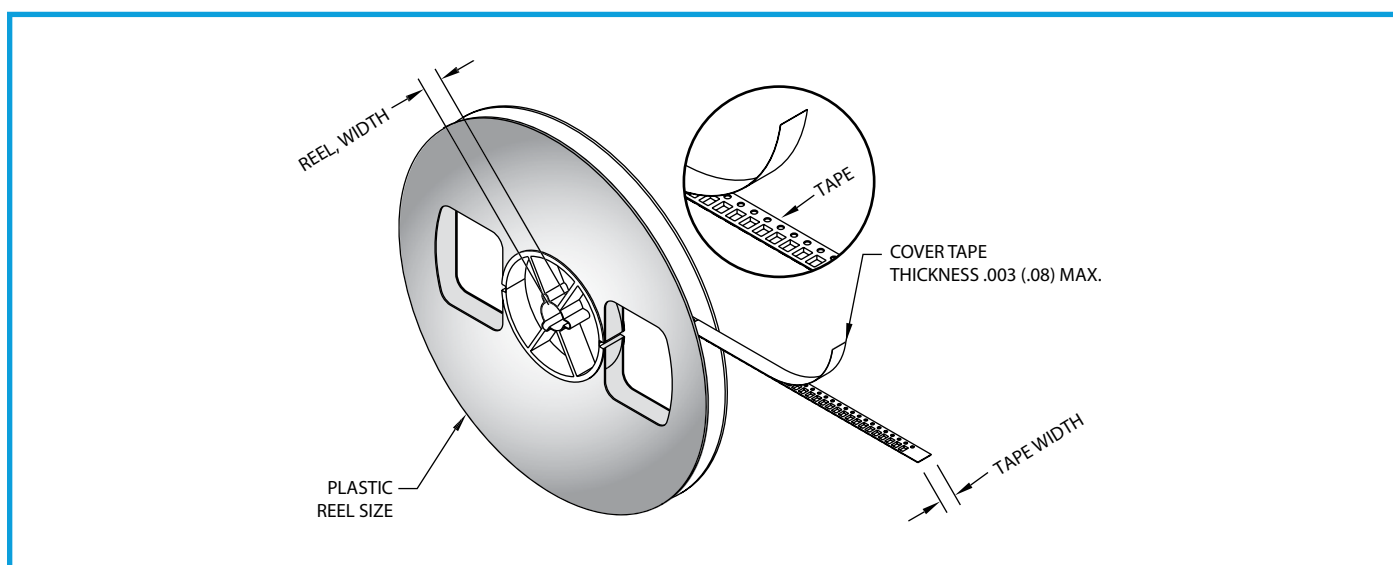
NOTE: Part orientation is horizontal for all chip case sizes.

## Broadband & Ultra-Broadband Products Tape & Reel Packaging

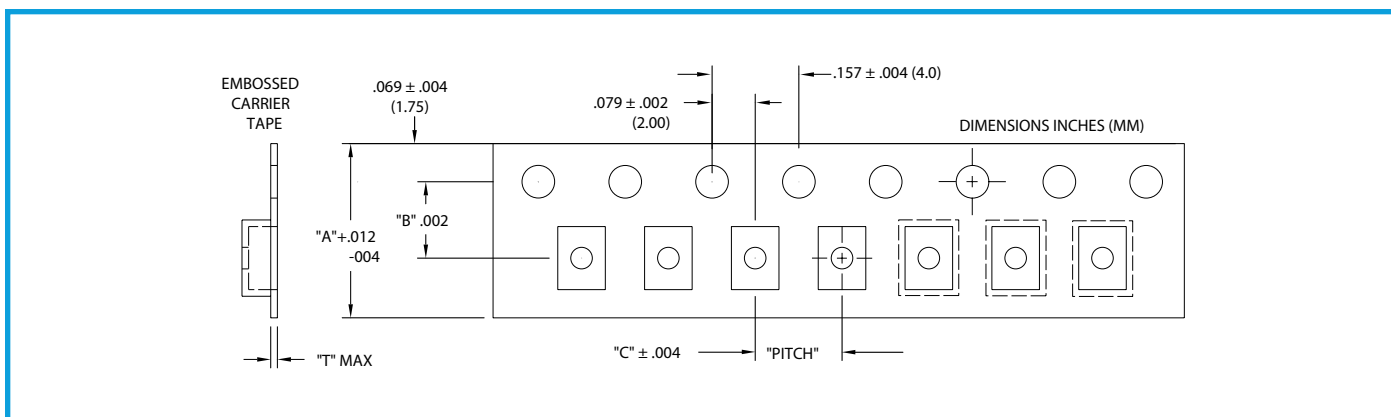


Chip Case Size	"A" DIM MAX.	"B" DIM	"C" DIM	"T" DIM MAX	REEL SIZE	REEL WIDTH MAX.	QTY MAX / REEL TYPE
500S (0603)	.315 (8.00)	.138(3.50) ± .002(±0.05)	.157(4.00)	.009 (0.23)	7.0 (177.8)	.330 (8.40)	1000
520L (0402)	.327 (8.30)	.138(3.50) ± .002(±0.05)	.157(4.00) ± .004(±0.10)	.024 (0.61)	5.0 (127.0)	.330 (8.40)	500
					7.0 (177.8)		1000
530L (0402)	.327 (8.30)	.138(3.50) ± .002(±0.05)	.157(4.00) ± .004(±0.10)	.024 (0.61)	5.0 (127.0)	.330 (8.40)	500
					7.0 (177.8)		1000
530Z (0201)	.315 (8.00)	.138(3.50) ± .002(±0.05)	.079(2.00) ± .004(±0.10)	.020 (0.50)	7.0 (177.8)	.330 (8.40)	15000
531Z (0201)	.315 (8.00)	.138(3.50) ± .002(±0.05)	.079(2.00) ± .004(±0.10)	.020 (0.50)	7.0 (177.8)	.330 (8.40)	15000

NOTE: Carrier tape pocket dimensions per EIA-481

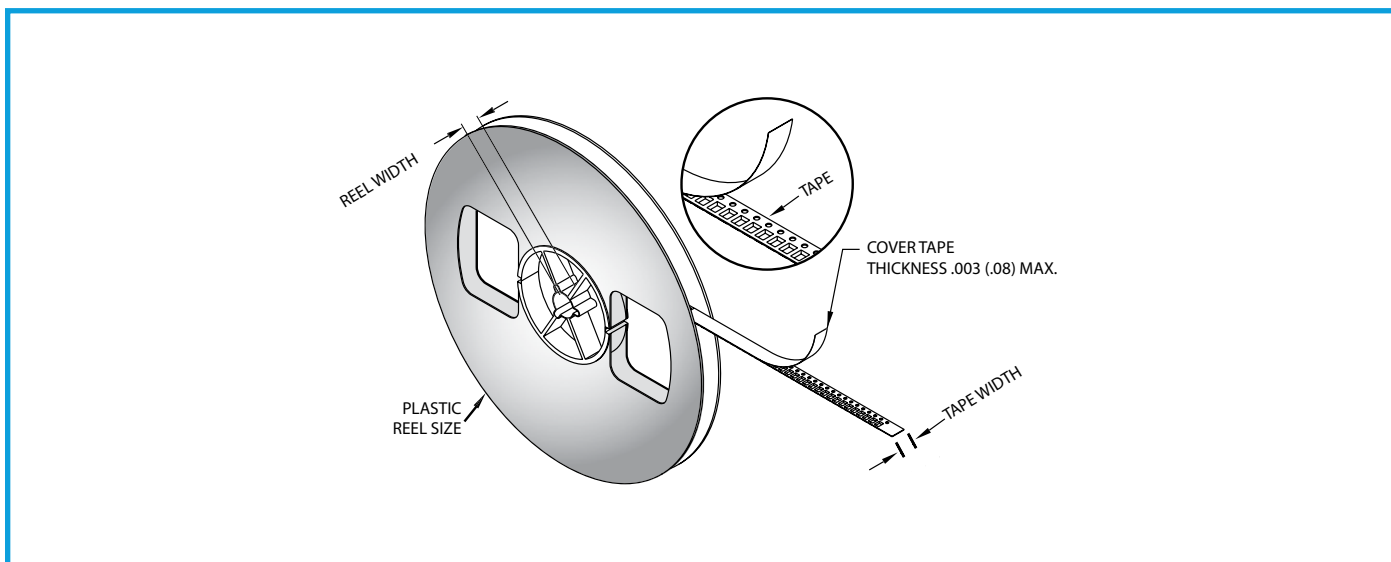


## MLC Products Tape & Reel Packaging



Chip Size (0.23 MAX)	"A" DIM	"B" DIM	"C" DIM	"T" DIM
A	.315 (8.0)	.138 (3.5)	.157 (4.0)	.012 (0.31) MAX.
B	.315 (8.0)	.138 (3.5)	.157 (4.0)	.012 (0.31) MAX.
R	.315 (8.0)	.138 (3.5)	.157 (4.0)	.012 (0.31) MAX.
C	.472 (12.0)	.217 (5.5)	.315 (8.0)	.012 (0.31) MAX.
E	.630 (16.0)	.295 (7.5)	.472 (12.0)	.016 (0.41) MAX.
600 L (0402)	.315 (8.0)	.138 (3.5)	.079 (2.0)	.024 (0.62) MAX.
600 S (0603)	.315 (8.0)	.138 (3.5)	.157 (4.0)	.009 (0.23) MAX.
600 F (0805)	.315 (8.0)	.138 (3.5)	.157 (4.0)	(0.009)

NOTE: Carrier tape pocket dimensions per EIA-481



# KYOCERA AVX MLC SURFACE MOUNT TAPE AND REEL PACKAGING SPECIFICATIONS

Chip Size (0.23 MAX)	Part Orientation	Reel Size	Reel Width	Tape Width	QTY MAX / Reel
A	VERTICAL	7.0 (177.8)	.330 (8.4)	.315 (8.0)	2500
	HORIZONTAL				
B	VERTICAL	7.0 (177.8)	.330 (8.4)	.315 (8.0)	1500
	HORIZONTAL				2000
R	HORIZONTAL	7.0 (177.8)	.330 (8.4)	.315 (8.0)	2000
C	HORIZONTAL	7.0 (177.8)	.488 (12.4)	.472 (12.0)	500
E	HORIZONTAL	7.0 (177.8)	.646 (16.4)	.630 (16.0)	250
		13.0 (330.0)			500
600 L (0402)	HORIZONTAL	5.0 (127.0)	.330 (8.4)	.315 (8.0)	500
		7.0 (177.8)			10000
600 S (0603)	VERTICAL	5.0 (127.0)	.330 (8.4)	.315 (8.0)	-
	HORIZONTAL	7.0 (177.8)			4000
600 F (0805)	VERTICAL	5.0 (127.0)	.330 (8.4)	.315 (8.0)	500
	HORIZONTAL	7.0 (177.8)			4000



**NORTH AMERICA**  
Tel: +1 864-967-2150

**ASIA**  
Tel: +65 6286-7555

**CENTRAL AMERICA**  
Tel: +55 11-46881960

**EUROPE**  
Tel: +44 1276-697000

**JAPAN**  
Tel: +81 740-321250

**NOTICE:** Specifications are subject to change without notice. Contact your nearest KYOCERA AVX Sales Office for the latest specifications. All statements, information and data given herein are believed to be accurate and reliable, but are presented without guarantee, warranty, or responsibility of any kind, expressed or implied. Statements or suggestions concerning possible use of our products are made without representation or warranty that any such use is free of patent infringement and are not recommendations to infringe any patent. The user should not assume that all safety measures are indicated or that other measures may not be required. Specifications are typical and may not apply to all applications.